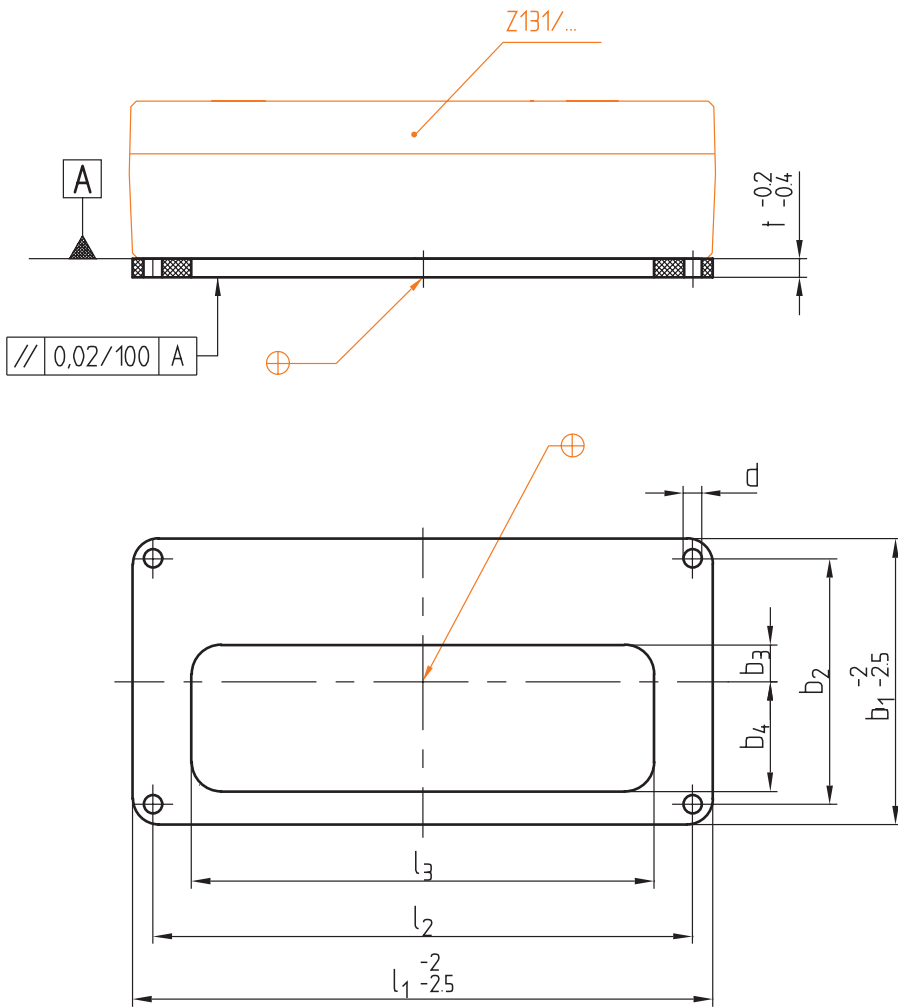


Z1312/...

Mat.: Kunstharz/Glasfaser
 Synthetic resin/Glass fibre
 Résine synthétique/Fibre de verre



Z131/...	λ [W/mK]	d	l_3	l_2	b_4	b_3	b_2	b_1	l_1	t	Nr./No.
Z131/ 4/1 + Z131/ 8/1	0,13	5	89	107	30	10	67	80	120	5	Z1312/ 80x120x5
Z131/16/1 + Z131/24/1			126	147					160		80x160x5
Z131/16/2 + Z131/24/2	7	7	134	162	22	22	102	120	180		120x180x5
Z131/24/4			254	302	27	27	142	160	320		160x320x5

This is trial version
www.adultpdf.com